

# MANUALLY OPERATED VALVE - M5

## Series DP2

Cat No DP2 - 01 - 01

### PANEL MOUNTING VALVE - M5

#### Features

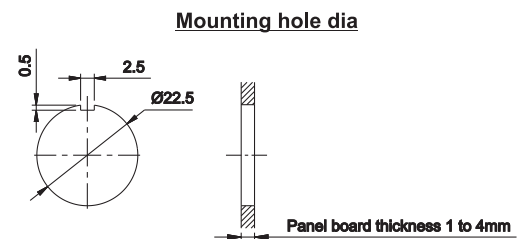
- Poppet seating arrangement
- Suitable for Panel mounting
- Mounting provision for individual unit
- Basic unit common for all the switches
- Wide range of switches available



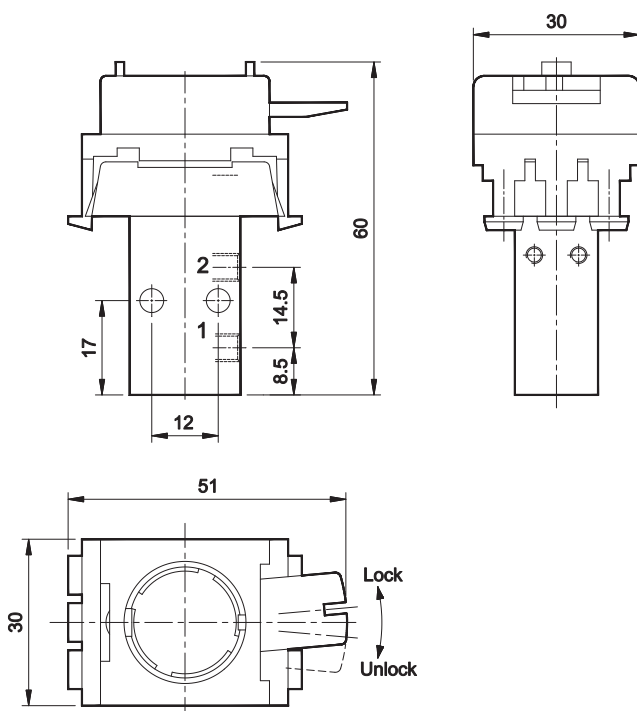
#### Technical Specifications

| Model                     | DP2                                  |
|---------------------------|--------------------------------------|
| Port size                 | M5                                   |
| Ambient temperature       | -10° to +60° C                       |
| Medium temperature        | +5° to +50° C                        |
| Maximum working pressure  | 8 bar                                |
| Stroke                    | 2.5 mm                               |
| Medium                    | Compressed air, Filtered, Lubricated |
| Flow @ (1 → 2)            | 130 lpm                              |
| Materials of construction | Housing : Aluminium, Seals : Nitrile |

@ Inlet pressure 6 bar, and pressure drop 1 bar



### 3 / 2 Stem actuated panel mounting valve



1 - Inlet, 2 - Outlet, 3 - Exhaust

|             |          |
|-------------|----------|
| Ordering No | DP242P70 |
| Symbol      |          |

# MANUALLY OPERATED VALVE - M5

## Series DP2

Cat No DP2 - 01 - 01

### 3 / 2 Stem actuated panel mounting valve with Actuator

| Mushroom head<br>" Push turn " |               | Mushroom head<br>" Push function " |               | Tip head |               | Flush head |               |
|--------------------------------|---------------|------------------------------------|---------------|----------|---------------|------------|---------------|
| Colour                         | Ordering No   | Colour                             | Ordering No   | Colour   | Ordering No   | Colour     | Ordering No   |
| Red                            | DP242P70-MT1A | Red                                | DP242P70-MP1A | Black    | DP242P70-TH3A | Red        | DP242P70-FH1A |
|                                |               |                                    |               |          |               | Green      | DP242P70-FH2A |
|                                |               |                                    |               |          |               |            |               |
|                                |               |                                    |               |          |               |            |               |

| Symmetric head |               | Lever head |               | Mushroom head<br>with lock and key |               |
|----------------|---------------|------------|---------------|------------------------------------|---------------|
| Colour         | Ordering No   | Colour     | Ordering No   | Colour                             | Ordering No   |
| Black          | DP242P70-SH3A | Black      | DP242P70-LH3A | Red                                | DP242P70-ML1A |
|                |               |            |               |                                    |               |
|                |               |            |               |                                    |               |

### How to order

While ordering Manual & mechanical valves, mention the ordering number given in the corresponding tables.

Subject to change